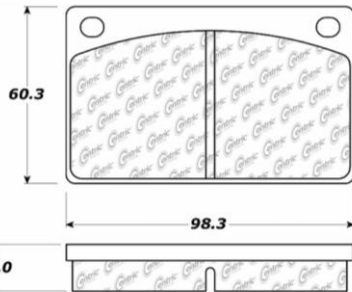


# Bromsbelägg Volvo 200/700/900-serie FRAM

**Girling 4-k**

**10X.00430**

Uses shim kit #: 115.00040



FMSI:  
764-D43  
784-D43  
7254-D43

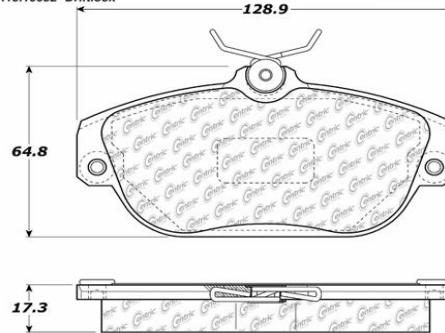
Some details may vary from illustration  
25

**Brake Pads**

**10X.05420**

**Girling ABS**

Uses shim kit #: 115.10052 -Driftlock



FMSI:  
7423-D542  
7512-D634

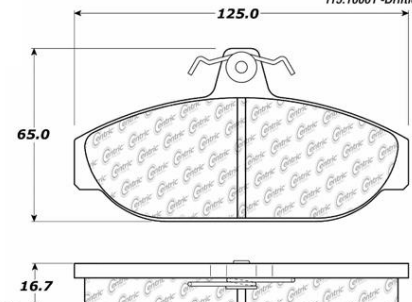
**Brake Pads**

Some details may vary from illustration  
338

**Girling**

**10X.05650**

Uses shim kit #: 115.10001 -Driftlock



FMSI:  
7161-D255  
7444-D565

Some details may vary from illustration  
357

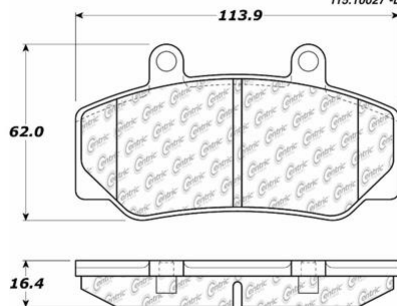
**Brake Pads**

ATE

**Bendix**

**10X.04920**

Uses shim kit #: 115.10027 -Driftlock



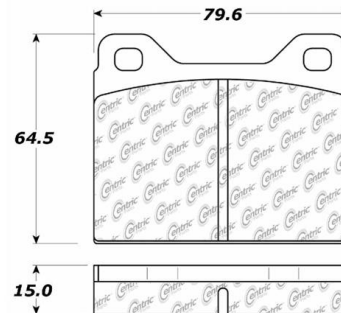
FMSI:  
7372-D492

Some details may vary from illustration  
297

**Brake Pads**

**10X.00560**

**Girling ABS**



FMSI:  
791-D56

**Brake Pads**

Some details may vary from illustration  
36

# Bromsbelägg Volvo 200/700/900-serie - BAK

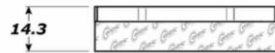
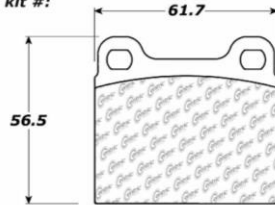
**ATE**

**10X.00310**

Thickness shown does not include shim



Uses shim kit #: 115.00017



FMSI:

- 736-D31
- 7035-D31
- 7255-D31
- 796-D58
- 7032-D125
- 7422-D541
- 7736-D860
- 7736-D861

**Brake Pads**

Some details may vary from illustration  
16

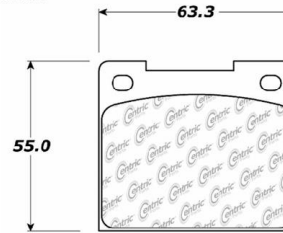
**Girlinging**

**10X.00440**

Thickness shown does not include shim



Uses shim kit #: 115.00067



FMSI:  
754-D44  
765-D44

**Brake Pads**

Some details may vary from illustration  
26

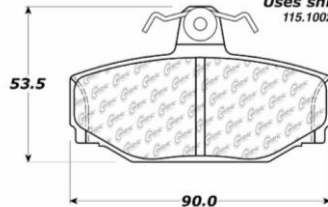
**Girlinging**



Thickness shown does not include shim

**10X.03910**

Uses shim kit #: 115.10024 -Driftlock



FMSI:  
7279-D391



Some details may vary from illustration  
225

**Brake Pads**